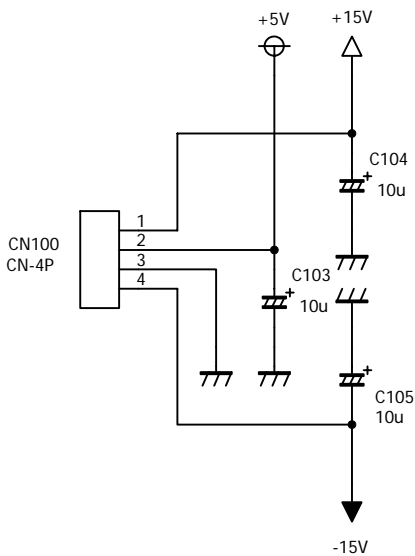
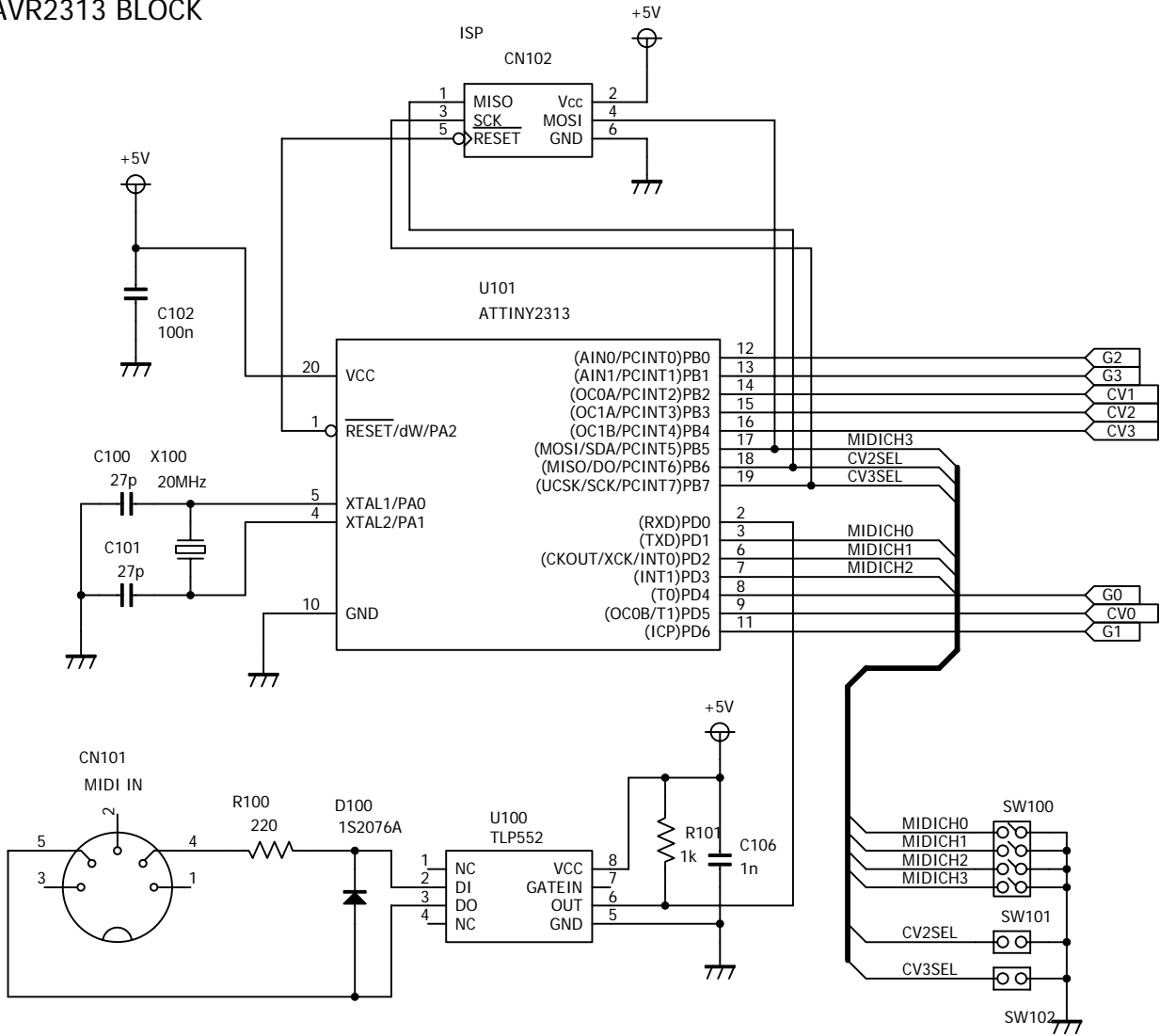
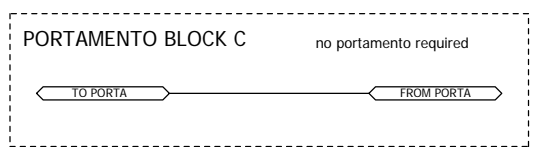
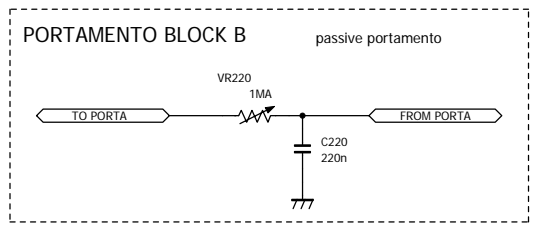
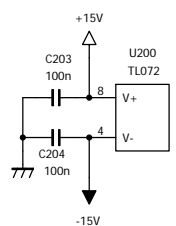
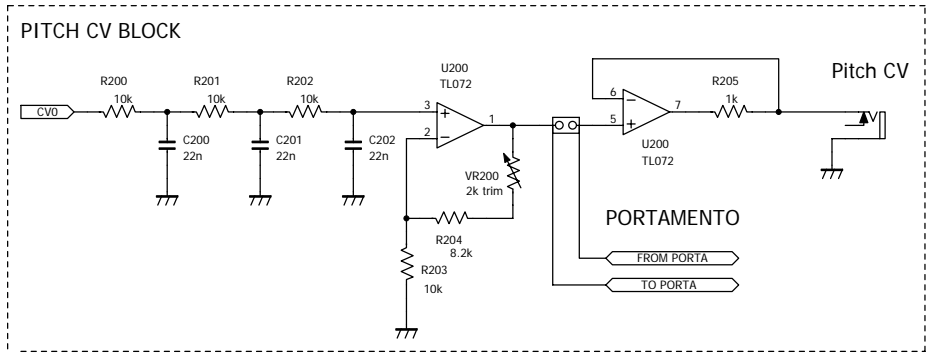


AVR2313 BLOCK

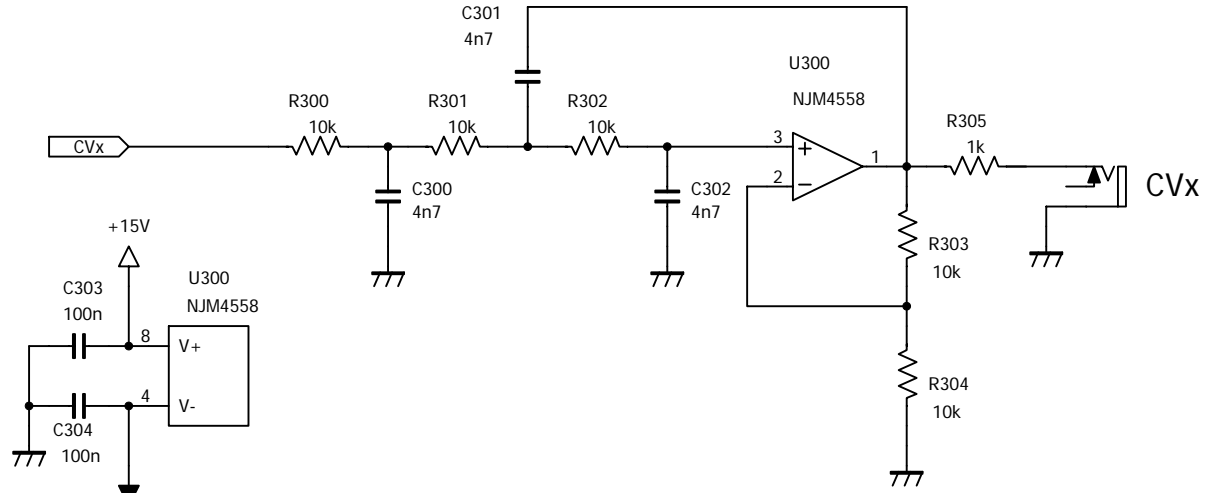


Title	MIDI2CV 1 of 5
Author	Satoshi "Chuck" Takagi
Date	10, DEC., 2006

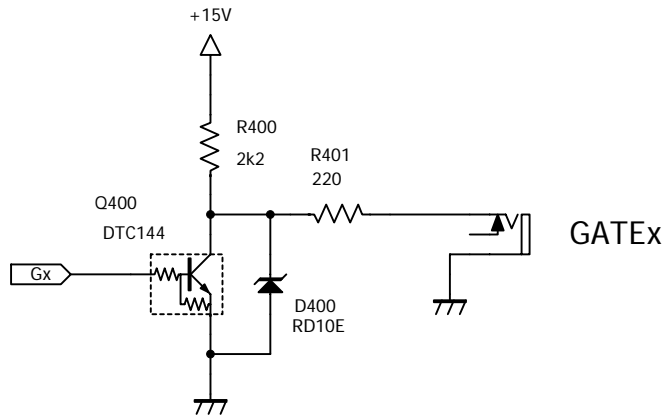


Title	MIDI2CV 2 of 5
Author	Satoshi "Chuck" Takagi
Date	10, DEC., 2006 06, JAN., 2007 04, FEB., 2007

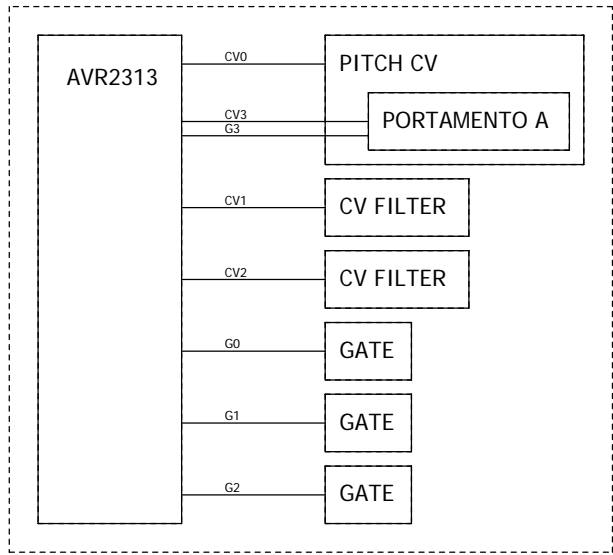
CV FILTER BLOCK



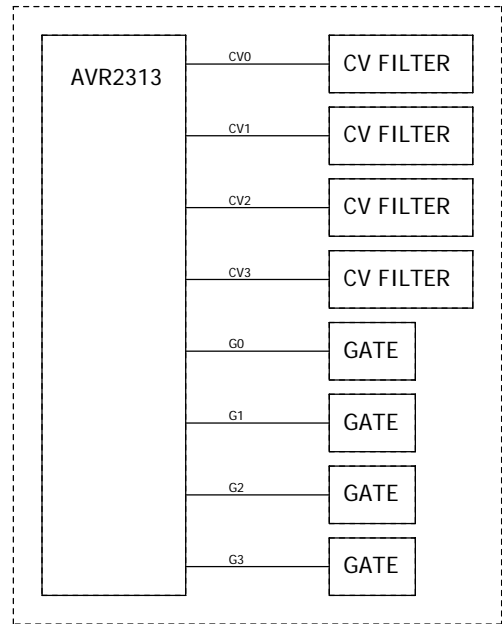
GATE BLOCK



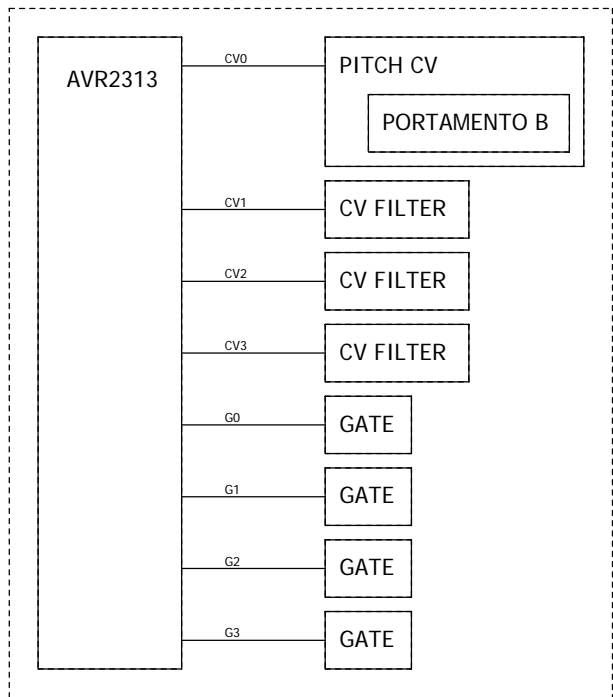
Title	MIDI2CV 3 of 5
Author	Satoshi "Chuck" Takagi
Date	10, DEC., 2006



MCV-2313-A w/ Portamento time control



MCV-2313-C

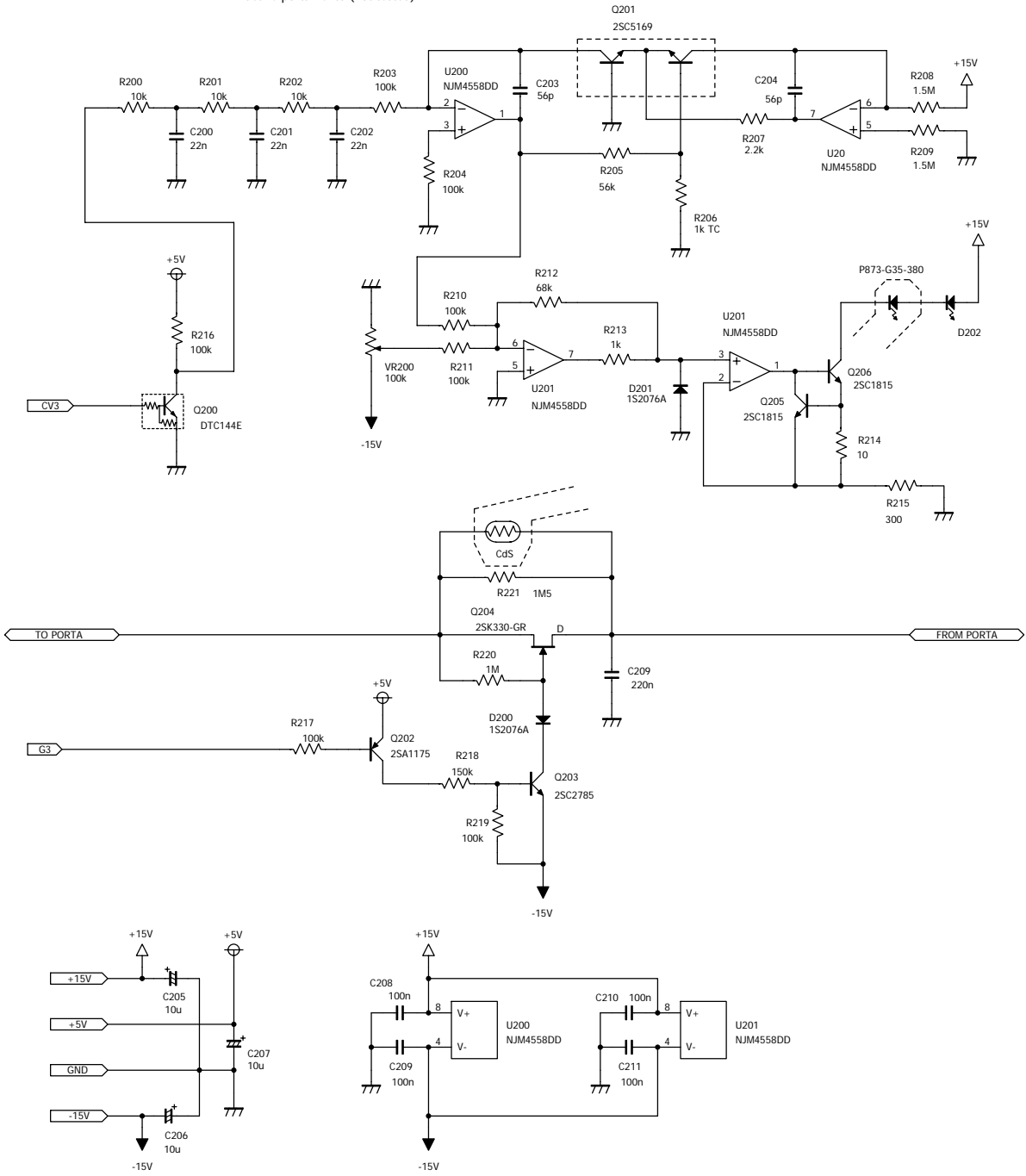


MCV-2313-A w/ Passive Portamento control

Title	MIDI2CV 4 of 5
Author	Satoshi "Chuck" Takagi
Date	10, DEC., 2006

PORTAMENTO BLOCK A

active portamento (not tested)



Title	MIDI2CV 5 of 5
Author	Satoshi "Chuck" Takagi
Date	04, FEB., 2007